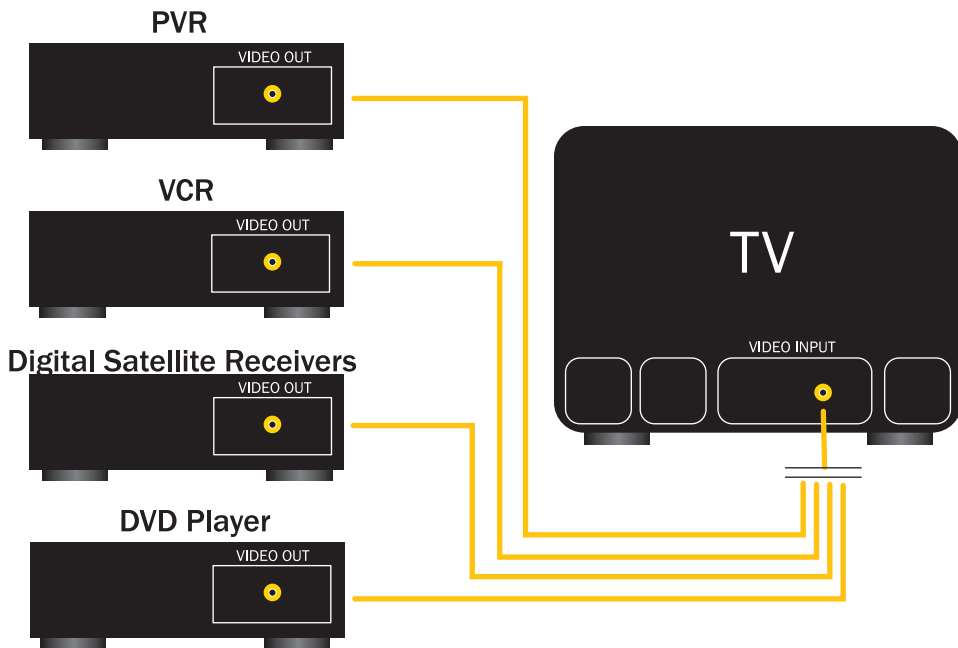


This diagram shows hookup solutions for **Composite Video Cables** only.

## Option A - Connect through TV

Note: Your TV may only have one set of input connects. If so, you will need to use a receiver to connect multiple components (see Option B).



## Option B - Connect through a receiver

